

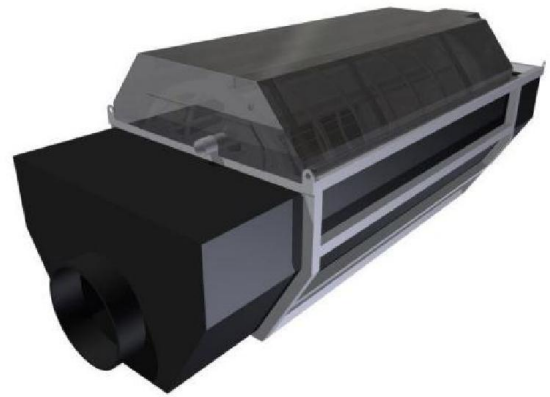
Glacier Filtration is a leading specialist in filtration & water treatment equipment and systems for complete sustainable water management.

### HEX Drum Filters

The HEX Drum Filters are a range of micro screen drum filters fitted with the unique patented **BeeCell™** HEX filter panel technology for optimum performance and efficiency. HEX Drum Filters are designed for high performance in applications where it is important to prevent particle fragmentation and ensure solids are separated and removed from the water flow down to as low as 10 microns.

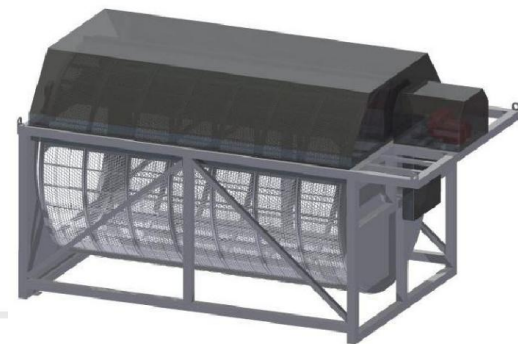
#### Features:

- Small spatial requirements
- Lower investment & operating costs
- 50% less backwash water needed
- 50% reduction on energy consumption
- Fully automated operation
- Greater resistance to wear & damage
- Adjustable sludge tray
- Filter submergence up to 65 – 70%
- Corrosion resistant tank & cover (PEHD)
- Filters from 10 to 100 microns
- Flow capacities from 10 to 5000 m3/hr
- Unique BeeCell™ filter panel technology
- More capacity than standard Drum filters
- Intelligent control system



#### Some Applications:

- Wastewater Treatment Plants
- Paper Mills
- Textile Industry
- Aquaculture
- Power Plants
- Zoos & Aquariums
- Swimming Pools
- Intake & Recirculating Systems



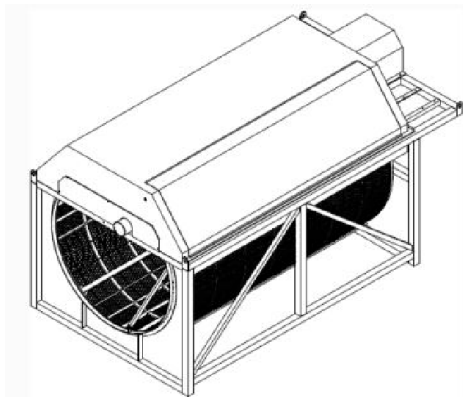
TO GET A QUOTE OR DISCUSS  
YOUR SPECIFIC REQUIREMENTS  
**CONTACT US NOW!**

COMPLETE SUSTAINABLE WATER MANAGEMENT  
**SUPERIOR EQUIPMENT - INTELLIGENT SOLUTIONS**

Glacier Filtration is a leading specialist in filtration & water treatment equipment and systems for complete sustainable water management.

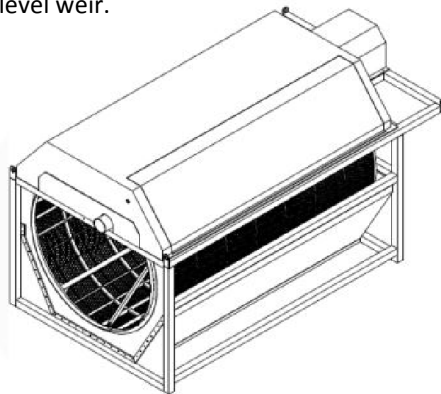
**Version C**

Requires channel installation with level weir for overflow and outlet of filter.



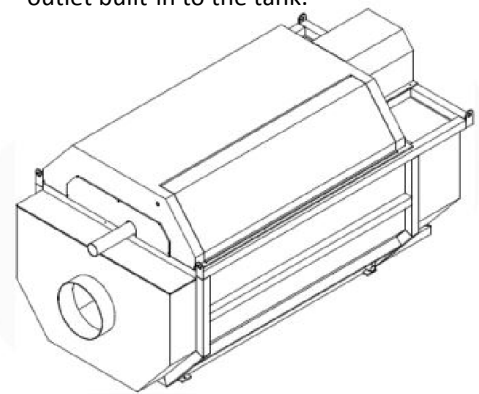
**Version H**

Requires channel installation with level weir for overflow, but has built-in outlet level weir.



**Version T**

Tank version with inlet/outlet pipes included and weirs for overflow and outlet built-in to the tank.



**Unique BeeCell™ Filter Panel Technology**

- Any breach of filter screen is limited to one cell only
- Hexagonal shape minimizes blockage of active filter screen
- Cell shape allows particles to be lifted faster in backwash
- More capacity per m<sup>2</sup> of filter screen area
- Smaller footprint – due to increased screen capacity
- Intelligent PLC Control – Screen is only backwashed on demand
- Filter panels are 400x1200mm for ease of replacement
- Larger capacity + Smaller footprint = Reduced investment costs

**Intelligent Controller**

- No wash of clean filter screen area
- Fast wash at optimal speed
- Longer build-up time between each wash
- Reduces volume of sludge to be treated



TO GET A QUOTE OR DISCUSS  
YOUR SPECIFIC REQUIREMENTS  
**CONTACT US NOW!**

COMPLETE SUSTAINABLE WATER MANAGEMENT  
**SUPERIOR EQUIPMENT - INTELLIGENT SOLUTIONS**