



SPECIALISTS IN FILTRATION & WATER TREATMENT

Call **02 6895 3219**
sales@glacierfiltration.com

Glacier Filtration is a leading specialist in filtration & water treatment equipment and systems for complete sustainable water management.

Ultra-Violet Disinfection Systems

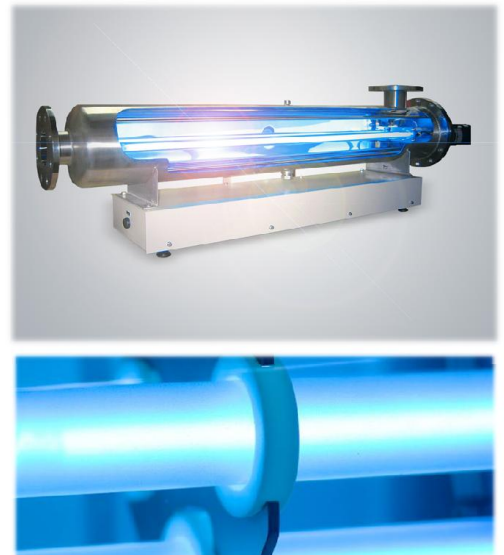
Disinfection with Ultra-Violet light is a proven, chemical-free and environmentally friendly method for killing pathogens and micro-organisms in water and other mediums. With UV technology it is possible to destroy more than 99.99% of all pathogens within seconds, without the addition of chemicals and avoiding any harmful side effects in an efficient, reliable and inexpensive manner.

Glacier Filtration is an innovative distributor of professional ultraviolet (UV) water treatment systems for industrial, commercial and municipal markets. Our UV reactors are optimised with 'in-house' Computational Fluid Dynamics design. Glacier Filtration selects each unit for its unique application, applying in-depth knowledge of microbiology, chemistry, process and reactor design. For high-efficiency, state-of-the-art performance, Glacier Filtration applies 'Industry leading' low-pressure (LP) and medium-pressure (MP) UV lamp technology.

- Disinfection for all types of water
- Dechloramination for Pool water
- Dechlorination for Process water
- TOC-reduction for Process Water
- Oxidation for all types of water
- Marine organism control

Common Applications

- Drinking Water Treatment
- Wastewater Treatment
- Food & Beverage Processing
- Aquaculture
- Stormwater Harvesting
- Zoos & Aquariums
- Maritime Operations
- Pharmaceutical
- Hospitals
- Fountains
- Breweries
- Swimming Pools
- Industrial Applications



TO GET A QUOTE OR DISCUSS
YOUR SPECIFIC REQUIREMENTS
CONTACT US NOW!

COMPLETE SUSTAINABLE WATER MANAGEMENT
SUPERIOR EQUIPMENT - INTELLIGENT SOLUTIONS

Glacier Filtration is a leading specialist in filtration & water treatment equipment and systems for complete sustainable water management.

Ultra-Violet Disinfection Systems

BETALINE UV SYSTEMS

- Low Pressure UV System
- L-Shaped Chamber
- CFD Designed
- 316 Stainless Steel Chamber Construction

BETALINE-E UV SYSTEMS

- Low Pressure UV System
- L-Shaped Chamber
- ÖNORM (M5873-1:2001) Validation
- 316 Stainless Steel Chamber Construction

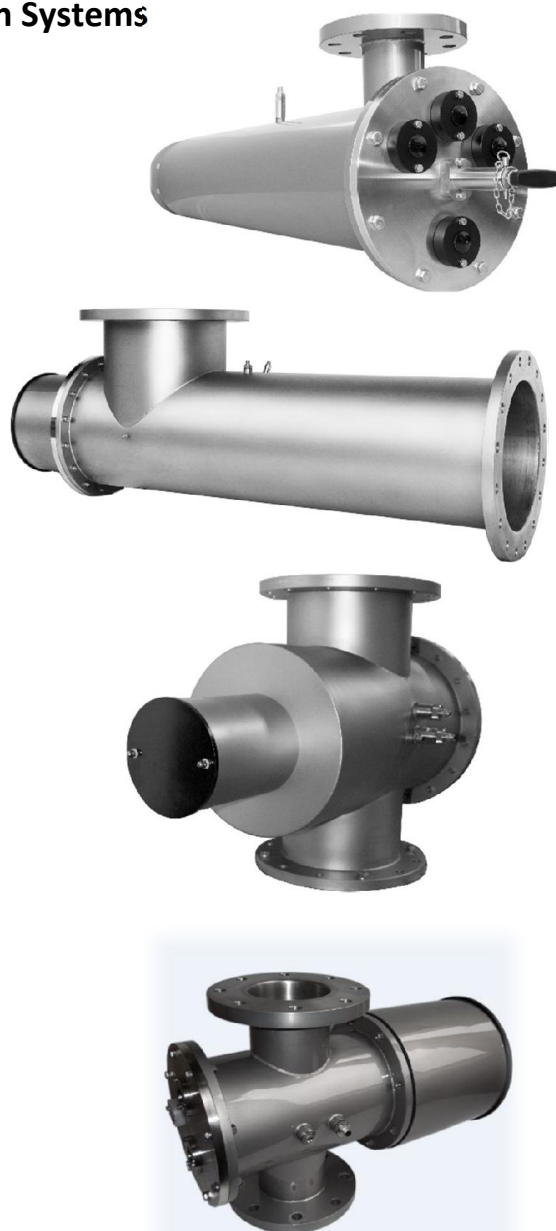
KAPPALINE UV SYSTEMS

- Low Pressure UV System
- I-Shaped Chamber
- ÖNORM (M5873-1:2001) Validation
- 316 Stainless Steel Chamber Construction

DELTALINE UV SYSTEMS

- Medium Pressure UV System
- I-Shaped Chamber
- CFD Designed
- 316 Stainless Steel Chamber Construction

best  **UV**
experts in ultraviolet light



TO GET A QUOTE OR DISCUSS
YOUR SPECIFIC REQUIREMENTS
CONTACT US NOW!

COMPLETE SUSTAINABLE WATER MANAGEMENT
SUPERIOR EQUIPMENT - INTELLIGENT SOLUTIONS